



ROOM CONTROLLERS FOR 2-PIPE SYSTEMS, ON-OFF

DB-TA-323

FUNCTION

2-pipe systems (typically fan coil) control for room temperature applications with:

- knob for temperature setting
- 1 relay output;
- manual selection for On/Off, 3 motor speed, season changeover (depending on models);
- internal or remote temperature sensor (optional).

TYPE	ON/OFF	3-SPEED	LOCAL S/W	REMOTE S/W
DB-TA-323-199	•			
DB-TA-323-435 (*)	•	•		•
DB-TA-323-995				•
DB-TA-323-998			•	

On request:

optional 2 m cable remote sensor, selectable by jumper; ordering code: NT0220-NTC100 (for DB-TA-323-435 -> NT0220-NTC100-02).

(*) for DB-TA-323-435 switch off/fan based on temp./continuous fan.

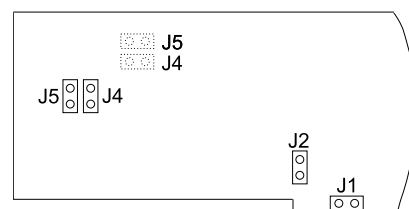
TECHNICAL DATA

Power supply: 24/230 Vac \pm 10%, 50/60 Hz
Max load: 6 A
Output: 1 SPDT relay 6 A 24/230 Vac
Power cons.: 1 W
Sensor: thermoresistor NTC 100K
 (for DB-TA-323-435 -> NTC 10K)
Setpoint: +5...+30 °C; mechanical limitation of the setpoint adjustment
Differential: 0.5 K
Working: 0...+40 °C
 10...90% r.h. (without condensing)
Storage: -20...+70 °C
 < 95 % r.h.
Housing: ABS fireproof according to UL94 V-0
 color (RAL 9010)
Protection: IP30, class II
Dimension: 144 x 82 x 34 mm
Weight: 210 g

JUMPER SETTING:

- J1 closed = internal sensor
- J2 closed = remote sensor
- J4 closed = power supply 24 Vac, 50/60 Hz
- J5 closed = power supply 230 Vac, 50/60 Hz

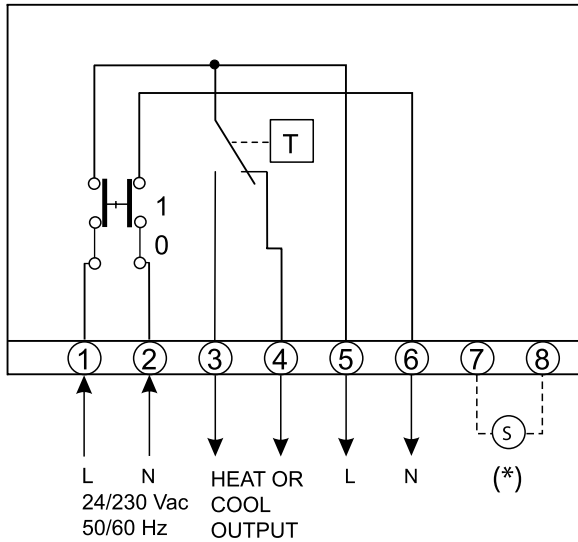
The products are factory supplied with internal sensor and 230 Vac jumper setting.



WIRING DIAGRAM

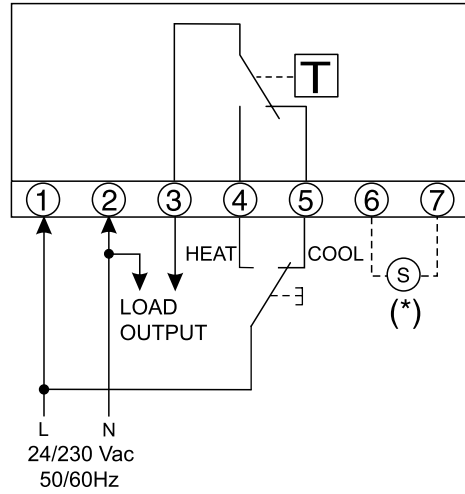
DB-TA-323-199

Terminal connections for heating or cooling systems: the On/Off switch provides power supply to terminals 5 and 6.



DB-TA-323-995

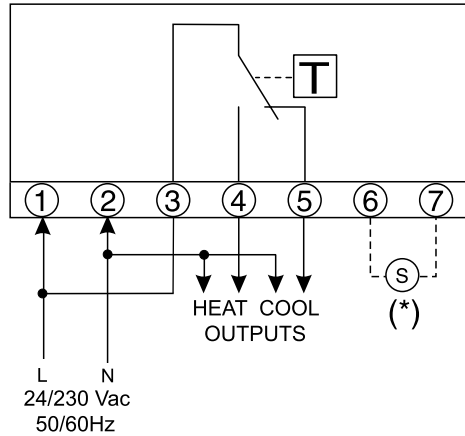
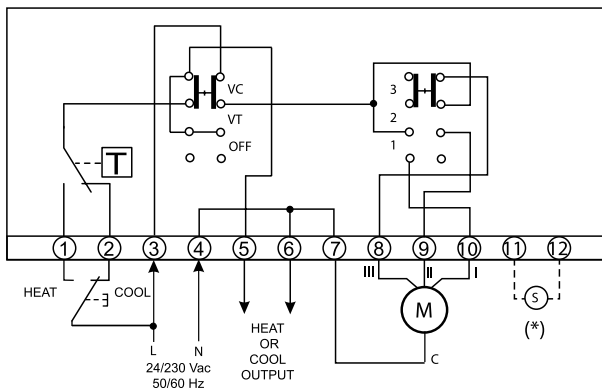
Terminal connections for systems with remote season changeover.



Terminal connections for heating or cooling systems.

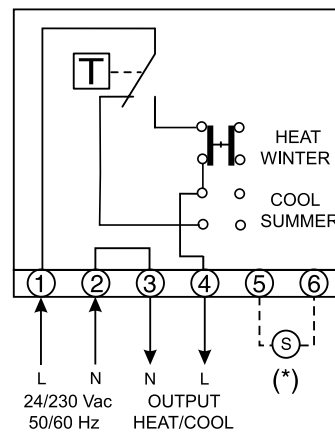
DB-TA-323-435

Terminal connections for heating or cooling systems, with 3 motor speed fan coils. Provided for remote season changeover.



DB-TA-323-998

Electrical wiring for heating and cooling systems



(*) remote sensor (optional, see page before)