



## ROOM CONTROLLERS FOR 2- OR 4-PIPE FAN COILS

DB-TA-393

### FUNCTION

2- and 4-pipe fan coil with 3-speed motor fan control for room temperature applications with:

- manual selection of thermostatic fan/continuous fan/Off,
- 3 motor speed and season changeover (by switch for DB-TA-393-435, by water sensor or remote switch for DB-

TA-393-436);

- room temperature visualisation with display;
- setpoint selection by step of 0.1 °C on display;
- internal or remote temperature sensor (optional).

TYPE	VT/VC/OFF	3-SPEED	S/W
DB-TA-393-435	•	•	see electrical wiring
DB-TA-393-436	•	•	see electrical wiring

**Note:** The controllers are supplied with water sensor model: NTA020-027P.

### On request:

optional remote 2 m cable sensor, selectable by jumper; ordering code: NT0220-NTC10-02.

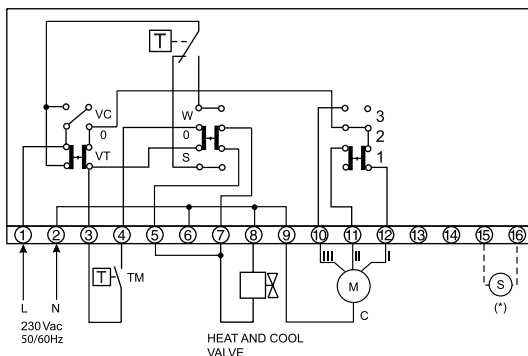
### TECHNICAL DATA

<b>Power supply:</b>	230 Vac ± 10%, 50/60 Hz
<b>Max load:</b>	6 A
<b>Inputs:</b>	- external contact or water sensor for remote season changeover function (DB-TA-393-436)
<b>Output:</b>	1 relay SPDT 6 A 230 Vac
<b>Power cons.:</b>	1 W
<b>Sensor:</b>	NTC 10K
<b>Setpoint:</b>	+5...+30 °C adjustment by step of 0.5 °C.
<b>Differential:</b>	0.5 K
<b>Display:</b>	resolution 0.1 °C
<b>Working:</b>	0...+40 °C 10...90% r.h. (without condensing)
<b>Storage:</b>	-20...+70 °C < 95 % r.h.
<b>Housing:</b>	ABS fireproof according to UL94 V-0 color (RAL 9010)
<b>Protection:</b>	IP30, class II
<b>Size:</b>	144 x 82 x 34 mm
<b>Weight:</b>	220 g

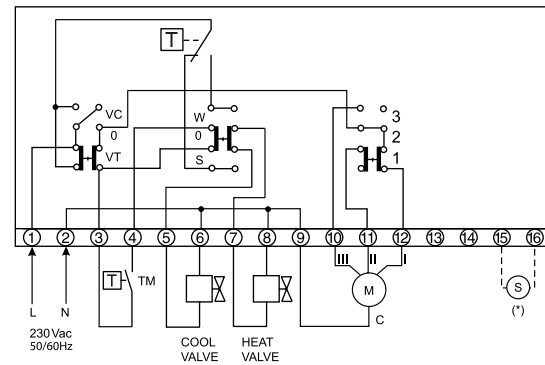
### WIRING DIAGRAM

#### DB-TA-393-435

Terminal connections for 2-pipe air conditioning and heating systems.

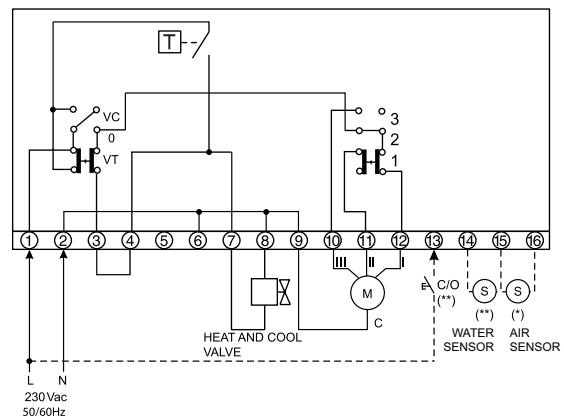


Terminal connections for 4-pipe air conditioning and heating systems.



- (\*) optional remote sensor
- TM minimum thermostat

#### DB-TA-393-436



- (\*) optional remote air sensor
- (\*\*) remote season changeover by external switch or remote water sensor

Jumper setting:

- J1 closed = internal sensor
- J1 opened = remote sensor

The products are factory supplied with internal sensor.

