



DAMPER ACTUATORS, PROPORTIONAL CONTROL (8, 16 ,24 Nm)

DMS, DM, DML

FUNCTION

0(2)...10 Vdc or 0(4)...20 mA damper proportional control.

APPLICATIONS

Well-suited for applications with dampers (2, 4, 6 m²) in ventilation and air handling units.

CHARACTERISTICS

- universal adapter for easy mounting
- shaft dimensions Ø 10...20 mm / 10...20 mm square
- anti-rotation bracket provided for stability
- manual override by push-button
- adjustable angle of rotation
- selectable direction of rotation
- 0(2)...10 Vdc input signal 0(4)...20 mA
- 0...10 Vdc output signal
- parallel connection up to 10 actuators
- 2 adjustable SPDT auxiliary switches when requested
- power saving at end stops

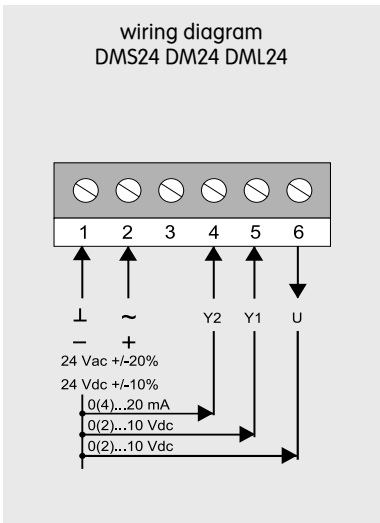
TYPE	POWER SUPPLY	TORQUE
DMS24	24 Vac/dc	8 Nm
DMS24S	24 Vac/dc	8 Nm
DMS230	230 Vac	8 Nm
DMS230S	230 Vac	8 Nm
DM24	24 Vac/dc	16 Nm
DM24S	24 Vac/dc	16 Nm
DM230	230 Vac	16 Nm
DM230S	230 Vac	16 Nm
DML24	24 Vac/dc	24 Nm
DML24S	24 Vac/dc	24 Nm
DML230	230 Vac	24 Nm
DML230S	230 Vac	24 Nm

S models with 2 auxiliary switches

Actuator		DMS24	DM24	DML24	DMS230	DM230	DML230
Damper area (*)	m ²	2	4	6	2	4	6
Torque	Nm	8	16	24	8	16	24
Stroke time	s	30	80	125	30	80	125
Power supply		24 Vac/dc	24 Vac/dc	24 Vac/dc	230 Vac	230 Vac	230 Vac
Frequency	Hz	50...60	50...60	50...60	50...60	50...60	50...60
Power consumption							
- operating	W	4.0	4.0	4.0	4.8	4.8	4.8
- at end stops	W	0.7	0.7	0.7	1.0	1.0	1.0
For wire sizing	VA	6.5	6.5	6.5	7.5	7.5	7.5
Weight	g	1200	1200	1200	1200	1200	1200
Control signal	Y1	0(2)...10 Vdc	0(2)...10 Vdc	0(2)...10 Vdc	0(2)...10 Vdc	0(2)...10 Vdc	0(2)...10 Vdc
Control signal	Y2	0(4)...20 mA	0(4)...20 mA	0(4)...20 mA	-	-	-
Feedback signal	U	0(2)...10 Vdc	0(2)...10 Vdc	0(2)...10 Vdc	0(2)...10 Vdc	0(2)...10 Vdc	0(2)...10 Vdc
Aux. switches rating		3(1.5) A 230 Vac					
Rotation angle:							
- operating		90° (93° mechanical)					
- limitation		5...85° in 5° steps					
Protection class		II	II	II	II	II	II
Degree of protection		IP44 or IP54 with cable glands					
Room temperature		-20...+50°C	-20...+50°C	-20...+50°C	-20...+50°C	-20...+50°C	-20...+50°C
Room humidity		5...95% r.h.	5...95% r.h.	5...95% r.h.	5...95% r.h.	5...95% r.h.	5...95% r.h.
Noise level		max 45 dB					
Standards		CE	CE	CE	CE	CE	CE

(*) the indication of the damper area is not significant, the data that must be taken into account is the value of the torque in Nm.





Control signal setting

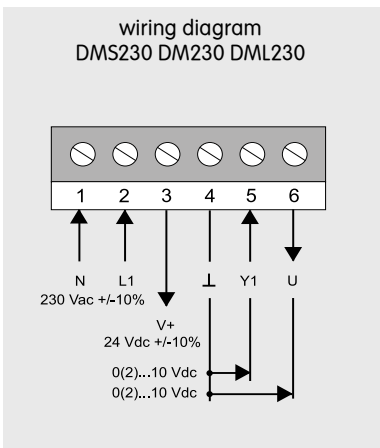
Control signal Y1: 0(2)...10 Vdc Y1: 0...10 Vdc
 Input resistance: Ri 100 kOhm Y2: 0...20 mA

Control signal Y2: 0(4)...20 mA
 Input resistance: Ri 500 Ohm

Feedback signal U: 0(2)...10 Vdc
 Load resistance: > 50 kOhm



Y1: 2...10 Vdc
 Y2: 4...20 mA



Direction of rotation setting

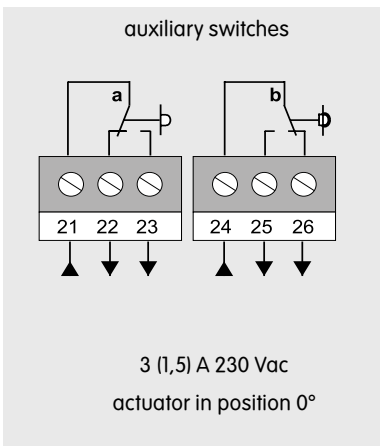
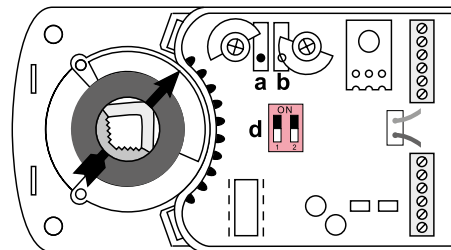
Microswitch d



clockwise

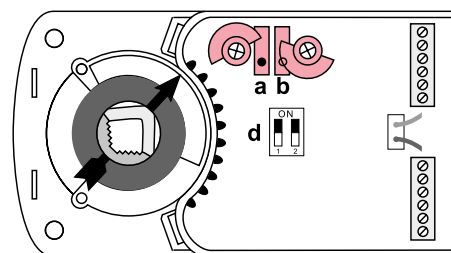


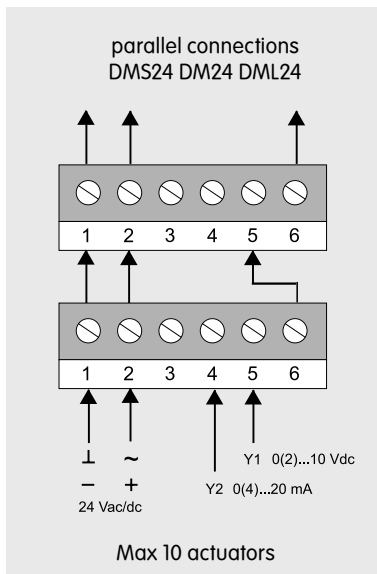
counterclockwise



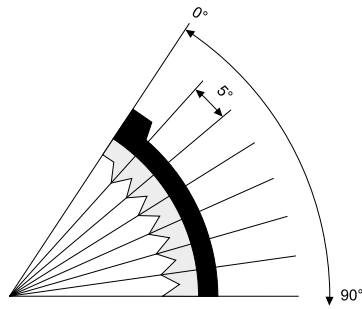
Auxiliary switches setting

Factory setting:
 Switch a at 10°
 Switch b at 80°
 The switching position can be changed manually.

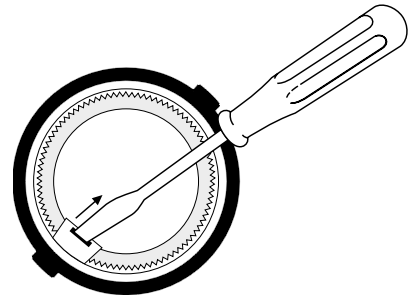




Limitation of rotation angle



Adapter release



DIMENSIONS (mm)

