



PRESSURE  
CONTROLS

ADJUSTABLE  
PRESSURE SWITCH

P77

SINGLE PRESSURE, IP54

The P77 series pressure controls may be used for control functions or limit functions, depending on model number. All models are provided with alarm contacts. All standard models have phosphor bronze bellows and brass pressure connections.

Models for use with ammonia are provided with stainless steel bellows and connectors. Devices conforming to PED 2014/68/EU Cat. IV (HP models) have the fail-safe function with double bellows.

Their IP54 classification means that these pressure controls are suitable for almost all applications.



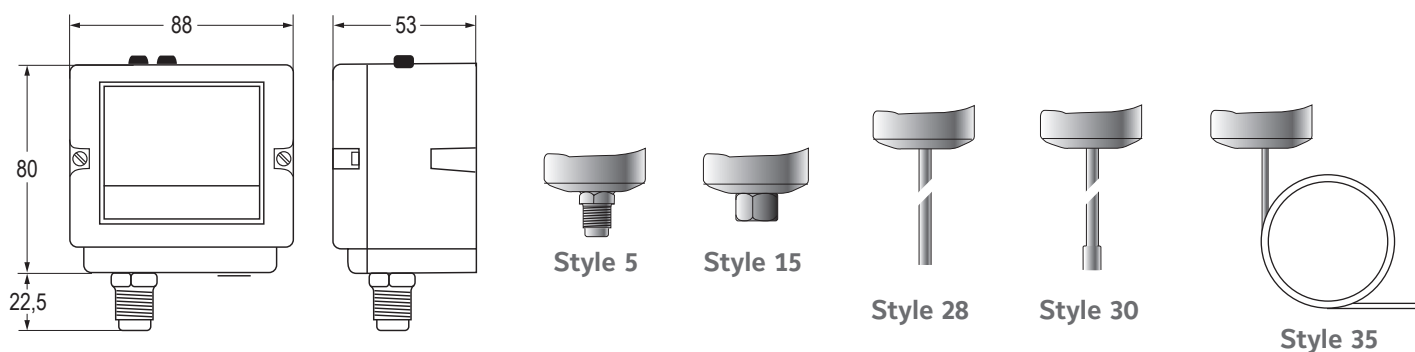
FEATURES

- Generous wiring space
- Splash-proof enclosure (IP54)
- SPDT contacts are provided as standard on single pressure controls.
- Trip-free manual reset

APPLICATION

These pressure controls are designed for use in a variety of applications involving refrigeration high or low pressure. Models supplied have a "whole range" design, enabling them to be used with refrigerants R22, R134A, R404A, R410A, R290 and CO<sub>2</sub> sub-critical and all other non-corrosive refrigerants which are within the operating range of the control. They may also be used for other high or low pressure applications such as air, water etc. Models which can be used with ammonia are included in the program. Also models tested and approved to PED 2014/68/EU Cat. IV (supersedes DIN and TUV approval) are included in the program.

DIMENSIONS (in mm)





## P77 – ADJUSTABLE PRESSURE SWITCH

### ORDERING INFORMATION

#### FOR NON-CORROSIVE REFRIGERANTS

FAMILY CODES	STYLE 5		STYLE 28	STYLE 30	STYLE 35	RANGE (bar)	DIFF. (bar)	MAX BELLOWS PRESSURE
	Ind. pack.	Bulkpack	Bulkpack	Ind. pack.	Ind. pack.			
P77AAA	-9300	-9320	-9800	-9400	-9500	-0.5 to 7	0.6 to 3	22
	-9301	---	---	---	---	-0.2 to 10	1 to 4.5	15
	-9302	---	---	---	---	-0.3 to 2	0.4 to 1.5	4
	-9350	-9370	-9850	-9450	-9550	3 to 30	3 to 12	33
	-9351	-9371	---	-9451	---	3.5 to 21	2.1 to 5.5	30
P77BCA	-9300	---	---	-9400	---	-0.5 to 7	Man. res. <sup>1</sup>	22
P77BEA	-9350	---	---	-9450	---	3 to 30	Man. res. <sup>2</sup>	33

#### FOR AMMONIA AND NON-CORROSIVE REFRIGERANTS

FAMILY CODES	STYLE 15		RANGE (bar)	DIFF. (bar)	MAX BELLOWS PRESSURE
	Ind. pack.	Bulkpack			
P77AAA	-9700	---	-0.5 to 7	0.6 to 3	14
	-9750	---	3 to 30	3.5 to 12	33
P77BCA	-9700	---	-0.5 to 7	Man. res. <sup>1</sup>	14
P77BEA	-9750	---	3 to 30	Man. res. <sup>2</sup>	33

#### FOR NON-CORROSIVE REFRIGERANTS

(PRESSURE LIMITER, PRESSURE CUT-OUT, SAFETY PRESSURE CUT-OUT, INCLUDING LOCKPLATE ASSY)

FAMILY CODES	STYLE 5		STYLE 28	RANGE (bar)	DIFF. (bar)	MAX BELLOWS PRESSURE	APPROVED ACCORDING TO PED 2014/68/EU CAT. IV
	Ind. pack.	Bulkpack	Ind. pack.				
P77AAW	-9300	-9320	-9800	-0.5 to 7	0.6 to 3	22	---
	-9350	-9370	-9850	3 to 30	3.5 to 12	33	■
	-9355	---	-9855	3 to 42	5 to 15	47.6	
P77BCB	-9300	---	-9800	-0.5 to 7	Man. res. <sup>1</sup>	22	---
P77BEB	-9350	-9370	-9850	3 to 30	Man. res. <sup>3</sup>	33	■
	-9355	---	-9855	3 to 42	Man. res. <sup>4</sup>	47.6	
P77BES	-9350	-9370	-9850	3 to 30	Man. res. <sup>3</sup>	33	

#### Notes

- <sup>1</sup> Resettable at 0.5 bar above cut-out point
  - <sup>2</sup> Resettable at 3 bar below cut-out point
  - <sup>3</sup> Resettable at 3.5 bar below cut-out point
  - <sup>4</sup> Resettable at 5 bar below cut-out point
- 100 kPa = 1 bar ≈ 14.5 psi



## P77 – ADJUSTABLE PRESSURE SWITCH

### ORDERING INFORMATION

FOR AMMONIA AND NON-CORROSIVE REFRIGERANTS

(PRESSURE LIMITER, PRESSURE CUT-OUT, SAFETY PRESSURE CUT-OUT, INCLUDING LOCKPLATE ASSY)

FAMILY CODES	STYLE 15		RANGE (bar)	DIFF. (bar)	MAX BELLOWS PRESSURE	APPROVED ACCORDING TO PED 2014/68/EU CAT. IV
	Ind. pack.	Bulkpack				
P77AAW	-9700	---	-0.5 to 7	0.6 to 3	14	---
	-9750	---	3 to 30	3.5 to 12	33	
P77BEB	-9750	---	3 to 30	Man. res. <sup>3</sup>	33	■
P77BES	-9750	---	3 to 30	Man. res. <sup>3</sup>	33	

FOR HAZARDOUS LOCATION APPLICATION AND NON-CORROSIVE REFRIGERANTS

(PRESSURE LIMITER, INCLUDING LOCKPLATE ASSY)

FAMILY CODES	STYLE 28		RANGE (bar)	DIFF. (bar)	PRESSURE CONNECTION	MAX BELLOWS PRESSURE	APPROVED ACCORDING TO PED 2014/68/EU CAT. IV
	Ind. pack.	Bulkpack					
P77XAAW	-18000C	-18000D	-0.5 to 7	0.6 to 3	6 mm Ø copper tube	22	---
	-18500C	-18500D	3 to 30	3.5 to 12		33	■

#### Notes

- 1 Resettable at 0.5 bar above cut-out point
- 2 Resettable at 3 bar below cut-out point
- 3 Resettable at 3.5 bar below cut-out point
- 4 Resettable at 5 bar below cut-out point

100 kPa = 1 bar ≈ 14.5 psi